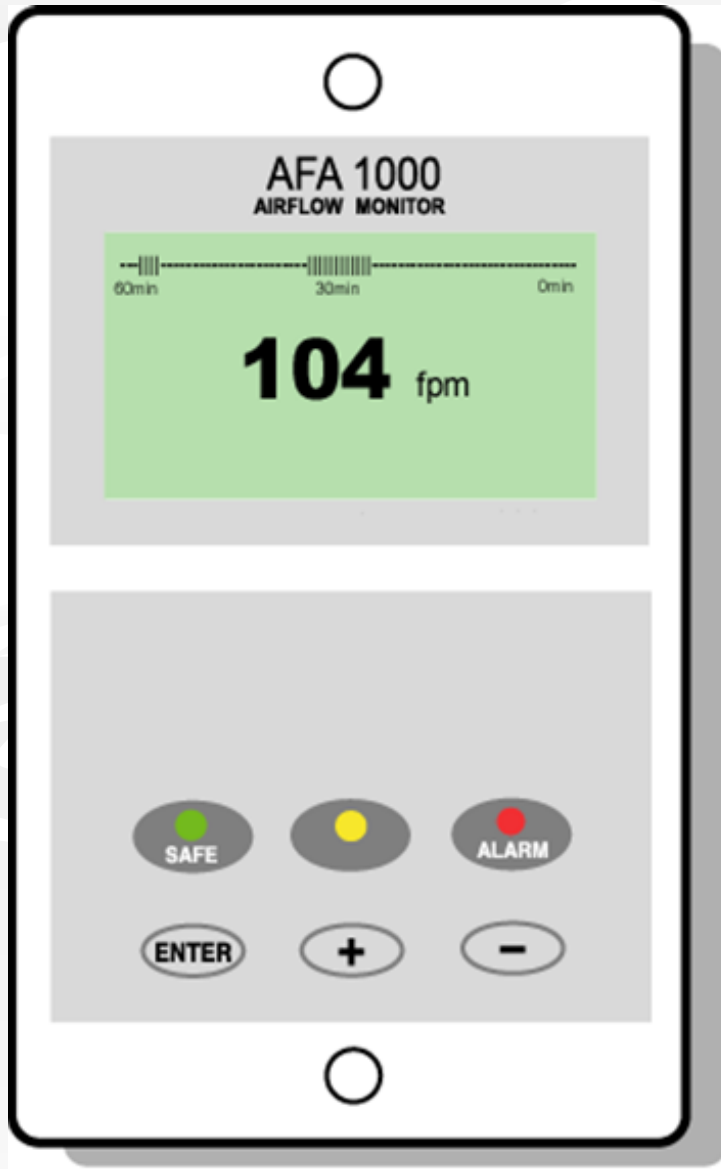


Airflow Monitors for the 21st Century



**AFA1000 / 1
Mk 3**

TEL

Specifications—AFA 1000/1

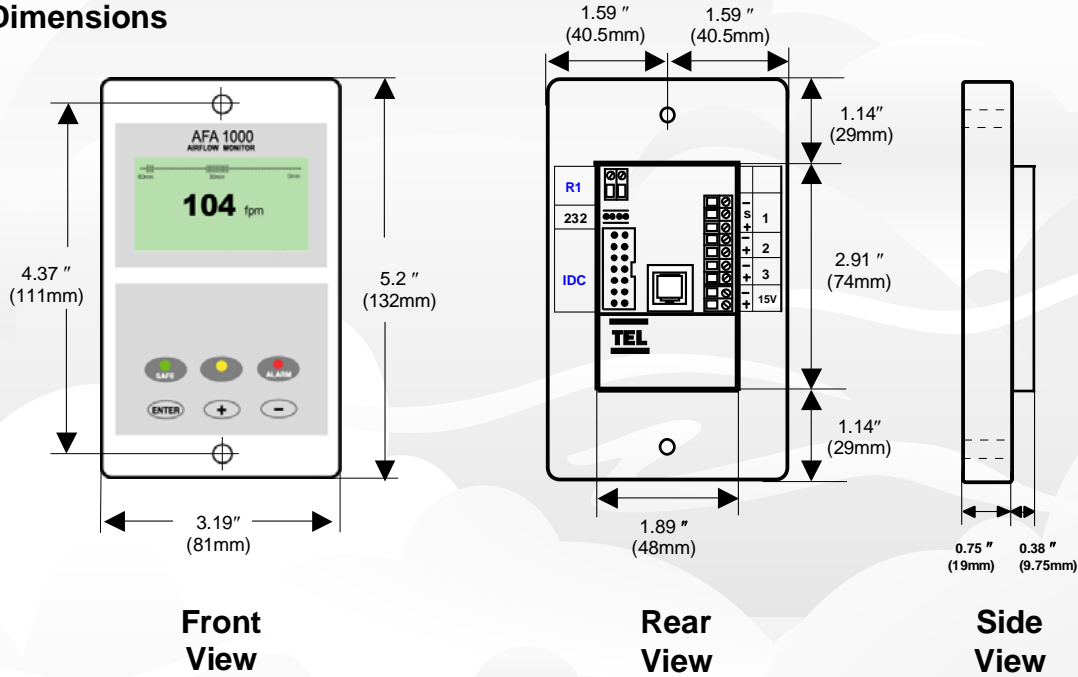
Display range	0-999 fpm (0-5.0 m/s)
Alarm range	0-999 fpm (0-5.0 m/s)
Field set-up	2-point velocity calibration (with on-screen instructions)
Accuracy	Sensor / Display resolution 1 fpm Face velocity accuracy +/-10%
Alarm delays	User configurable – 0 to 60secs
Relay output	4 (1 on board – 3 on optional plug in relay interface unit)
Analog output	0-10V output, directly proportional to velocity (Optional)
Relay input	3
Comm. Port	RS232 – Can be connected via Serial interface to LAN network (Full software available)
Sash high indication	Yes, with separate plug-in connection
Night setback	Yes
External alarm indication	Yes
Power Requirement	Input—120VAC, 60Hz Output—15VDC, 500ma
Units	English and Metric (user selectable)
Display—visual	Analog bar graph or Fault Timeline LEDs: red, alarm; yellow, caution; green, normal Digital display of velocity reading (can be turned off)
Alarm indication	Red LED & audible alarm (to a certain sound spec)
Horn silence	Yes (temporary / permanent/automatic depending on type of alarm or external input)
Mounting	Semi Flush
Operating temperature	55-86°F (13-30°C)
Storage temperature	-40-150°F (-40-65°C)
Instrument dimensions	Instrument Case: 5.2” H x 3.19” W x 1.14” D (132mm H x 81mm W x 29mm D)
Agency listings	CE

Specifications—AFA 1000/1

Optional Remote Relay Interface Unit

Relay output	3 volt free change over contacts (120v 5A AC1)
Relay input	3
Connection	14 Way IDC Connector (Standard 2M Length)
Enclosure material	Polystyrene
Enclosure dimensions	5.12" x 5.12" x 2.95" (130mm x 130mm x 75mm)
Agency listings	VDE CE

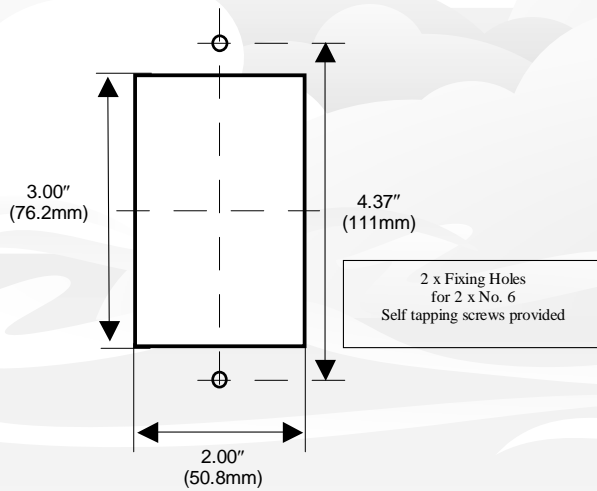
Alarm Panel Dimensions



Alarm Panel Dimensions

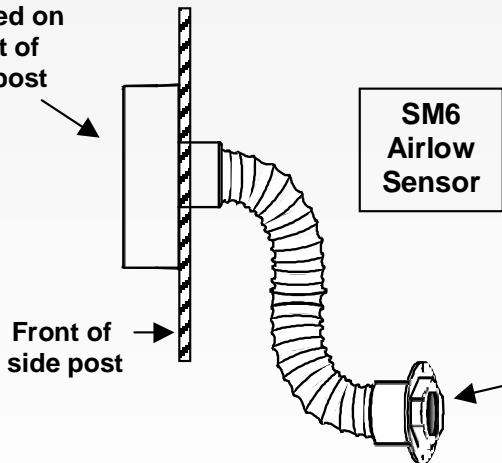
Panel Cutout Dimensions

3.00" x 2.00"

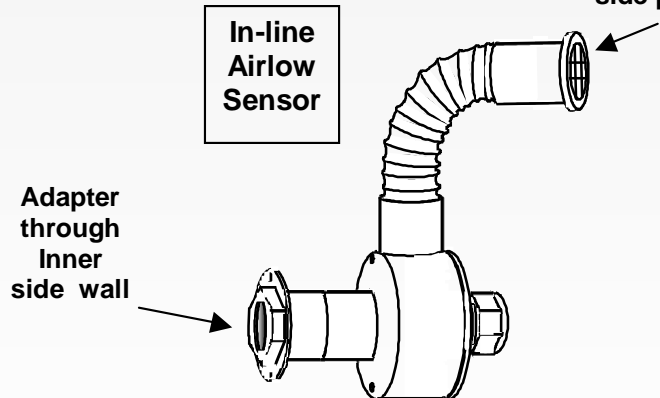


AFA 1000 / 1 Mk 3

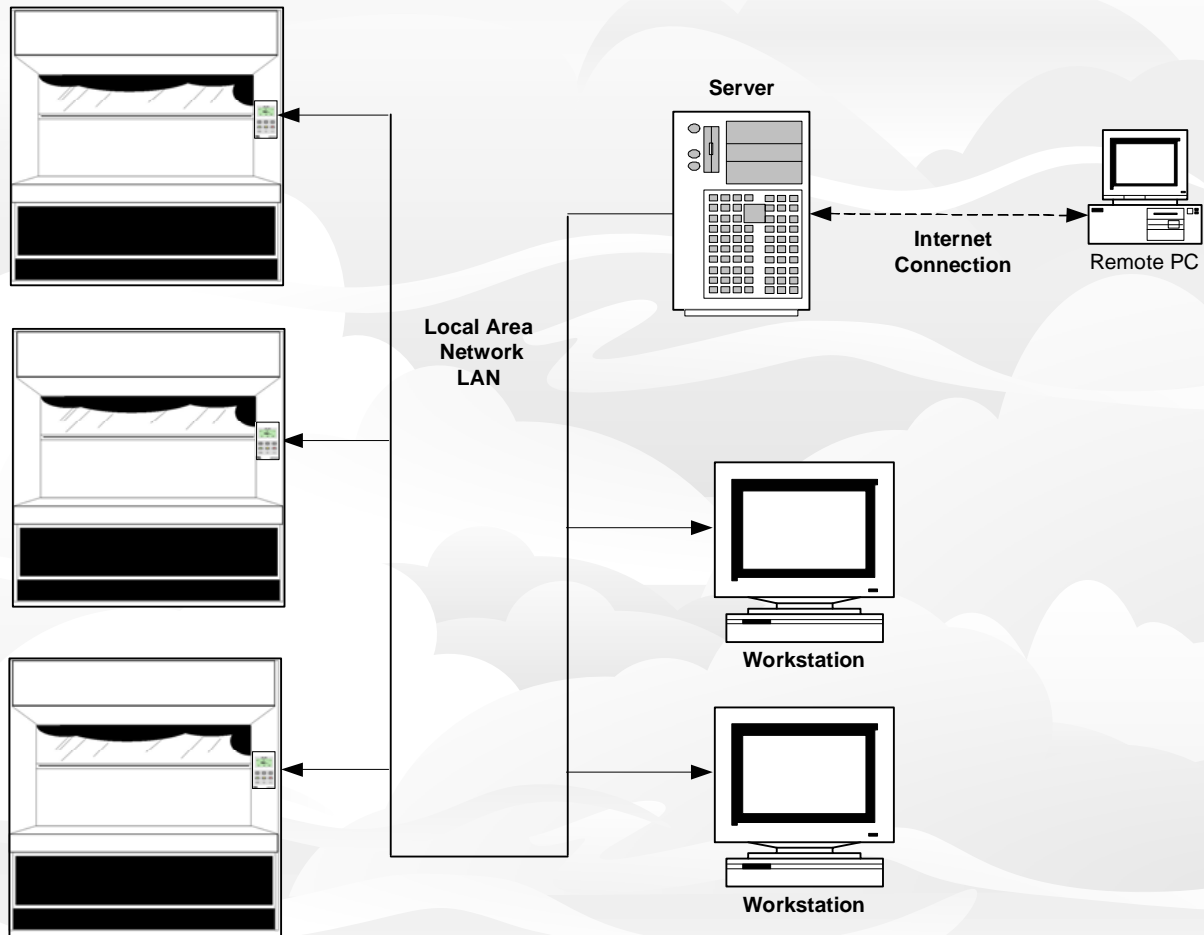
SM6 Airflow Sensor Mounted on front of side post



Adapter through front of side post



AFA 1000 -- Communication via Computer Systems



The **AF1000** Airflow Monitor can be connected via the com port to a Laptop Computer or to any PC on the local network (LAN) using our dedicated software.

The Laptop is normally used for local adjustments of the monitor parameters.

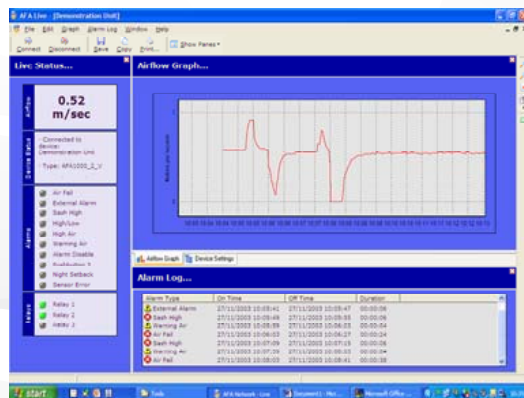
The PC Network Software (iNET) allows the any PC on the existing network to access the monitor or groups of monitors for the following functions :-

- **Download / Upload monitor controls / parameters**
- **Diagnostics**
- **Data Logging of alarms or events**
- **Remote access via the Internet**
- **Connection to a BMS**

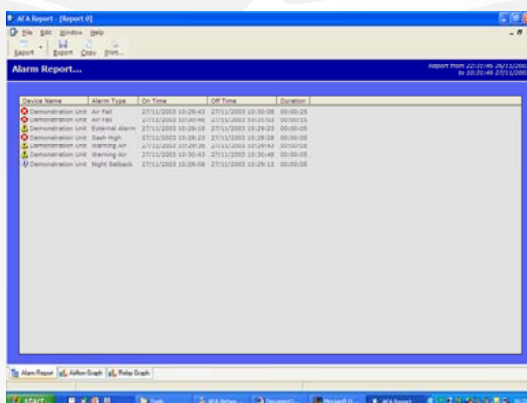
AFA 1000 -- iNET Reporting Software



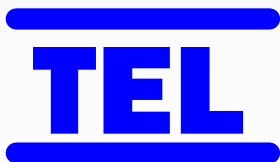
- INET Interface setup
- Configure devices
- Name devices
- Time adjust
- Task adjust
- Internet + BMS set up



- View live status
- Real time face velocity graph
- Event / Alarm log
- View alarm setting parameters



- Data Logging of information
- Log of alarms / events
- Graph of face velocity
- Graph of relay status
- Data Reports for user selectable date and times.



Web site : www.tel-uk.com



HOLLAND SAFETY EQUIPMENT
726 McKinley Ave
Libertyville , Illinois 60048

Phone: 847 680 9930 Fax: 847 680 9938

e-mail : info@hollandsafety.com

web site : www.hollandsafety.com